



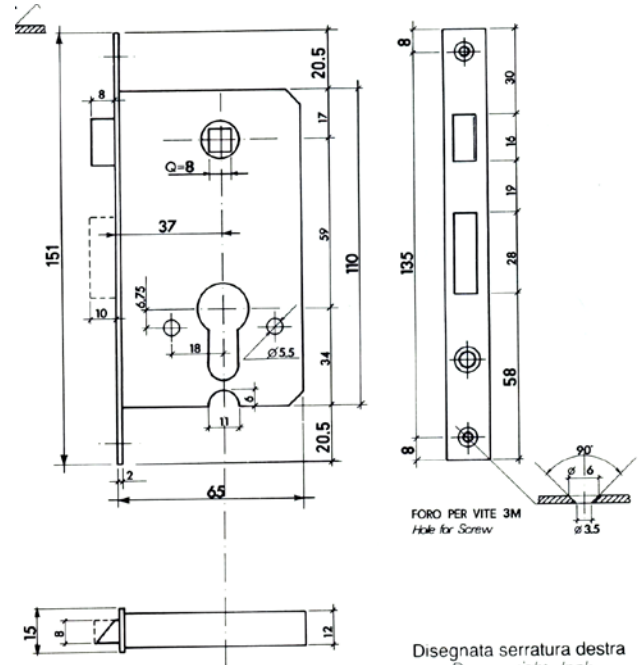
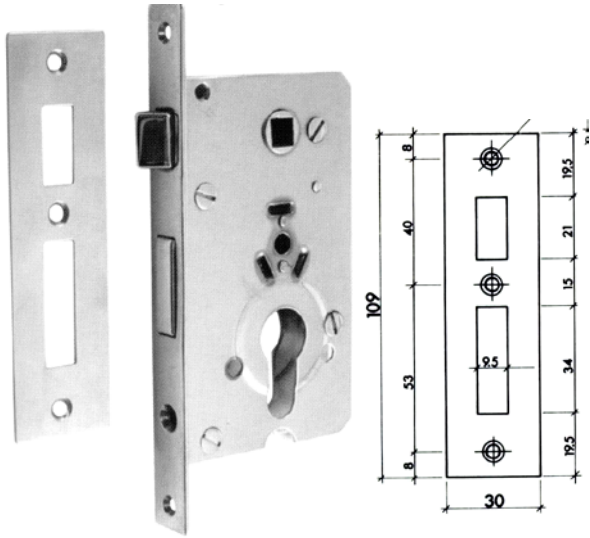
;  
Classic lever #18.440 107 mm long; 4 1/4"  
indicator #16.98M; privacy function  
OGE escutcheon #16.161 with indicator  
Escutcheon size: 160 x 36 mm 6 5/16" x 1 3/8"



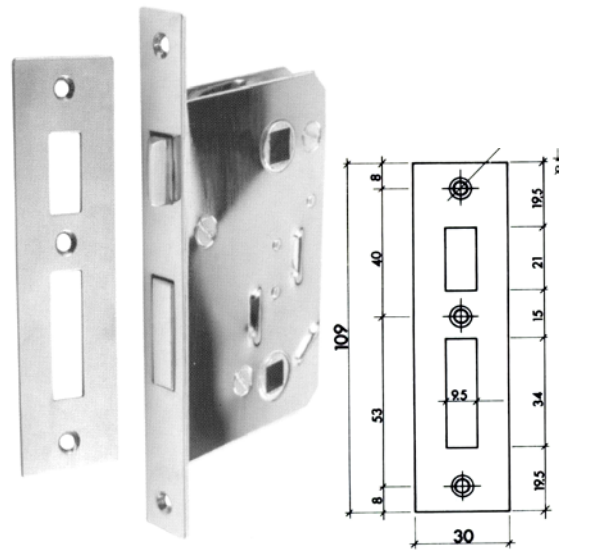
Budget privacy trim set;  
Lever #16.740; 85 mm  
Escutcheon #16.160; 36 x 160 mm 6 5/16" x 1 3/8"  
Thumb-turn #16.012



**NEW!** R & C SWINGING DOOR LOCKS FOR SMALL DOORS MINIMUM DOOR THICKNESS 1 INCH



18.3483 SET with escutcheons and levers; Entry Lock; 37 mm (1 1/2)backset.  
 Face plate: 151 x 15 x 2 mm; Lock case: 110 high x 65 wide x 12 mm thick. Center to Center PC: 59  
 Escutcheon plate: mm, Lever mm long overall.  
 Marine grade; stainless steel and brass chrome plated parts.



18.3474 SET with escutcheons and levers; Entry Lock; 37 mm (1 1/2) backset.  
 Face plate: 133 x 15 x 2 mm; Lock case: 93 high x 55 wide x 12 mm thick. Center to Center spindle hole: 62 mm  
 18.3819 Escutcheon plate: 135 x 25 mm, 18.3485 Lever 84 x 38 mm long overall.  
 Marine grade; stainless steel and brass chrome plated parts.

- #18.348337 Entry lock separate
- #18.3472 Strike plate for entry lock separate
- #18.3485 Levers pair separate
- #18.3840 Escutcheons for entry lock separate
- #18.347437 Privacy latch separate
- #18.3472 Strike for privacy latch
- #18.3819 Escutcheons for privacy lock separate
- #18.402337 Passage latch; 18.3818 passage escutcheons; (latch not showing)



**IZERWAREN BUDGET SETS FOR DOORS WITH A MINIMUM THICKNESS OF 1 1/8"**

izerwaren  
Order  
numbers

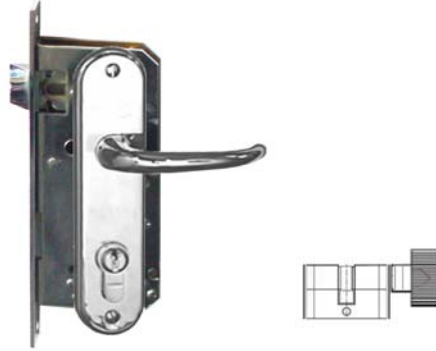
- Minimum door thickness 28 mm 1 1/8"
- BPC polished chrome plated brass
- BSC satin chrome plated brass

**Mortise locks with  
backset of 1 9/16"**

16.30Z **SET: Entry set with levers + escutcheons  
Strike plate and keyway**

16.421 Entry Mortise Lock separate  
Center spindle hole to center key hole: 60 mm  
Case: 70 mm x 152 mm x 15/10.5 mm thick  
Front plate 200 x 20 mm  
For 8x8 mm spindle / door lever handles

16.224 Strike plate for entry lock



#16.224 strike plate

Entry Set: 16.30Z; 40 mm backset

16.30W **SET: Privacy Mortise Lock with levers,  
escutcheons, thumb-turn/ indicator**

16.401 Privacy Mortise Lock separate  
Center spindle hole to center key hole: 60 mm  
Case: 70 mm x 152 mm x 15/10.5 mm thick  
Front plate 200 x 20 mm  
8 x 8 mm spindle for lever handles  
7 x 7 mm spindle for thumb-turn

16.224 Strike plate for privacy lock



#16.224 strike plate

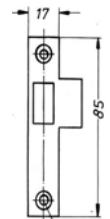
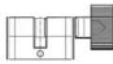
Privacy set: 16.30W; 40 mm backset  
With thumb-turn / indicator

16.30F **SET: Passage Mortise Latch with levers and  
escutcheons**

16.431 Passage Mortise Latch  
Case: 70 mm x 152 mm x 15/10.5 mm thick  
Front plate 200 x 20 mm  
8 x 8 mm spindle for lever handles

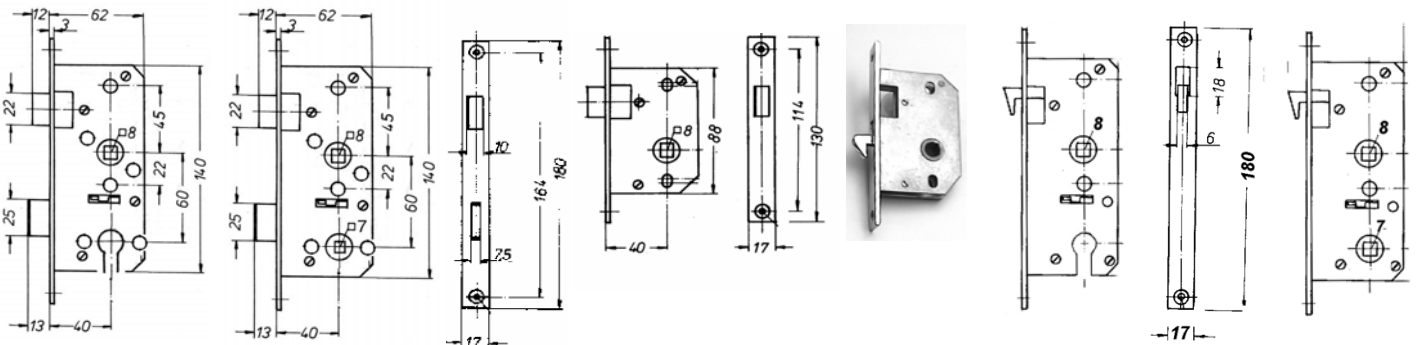
16.225 Strike plate for passage latch

05.407 Profile cylinder key-knob  
Short: 26-26 mm with knob; See page 1-5 for details



#16.225 strike plate for  
passage latch

Passage set: 16.30F; 40 mm backset



#16.421 key entry

#16.401 privacy

#16.431 passage

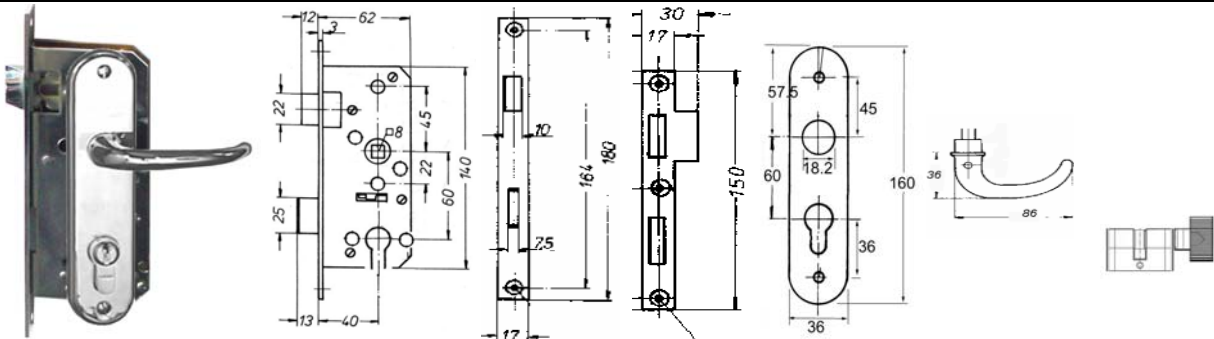
#14.891 sliding passage

#14.481 sliding key

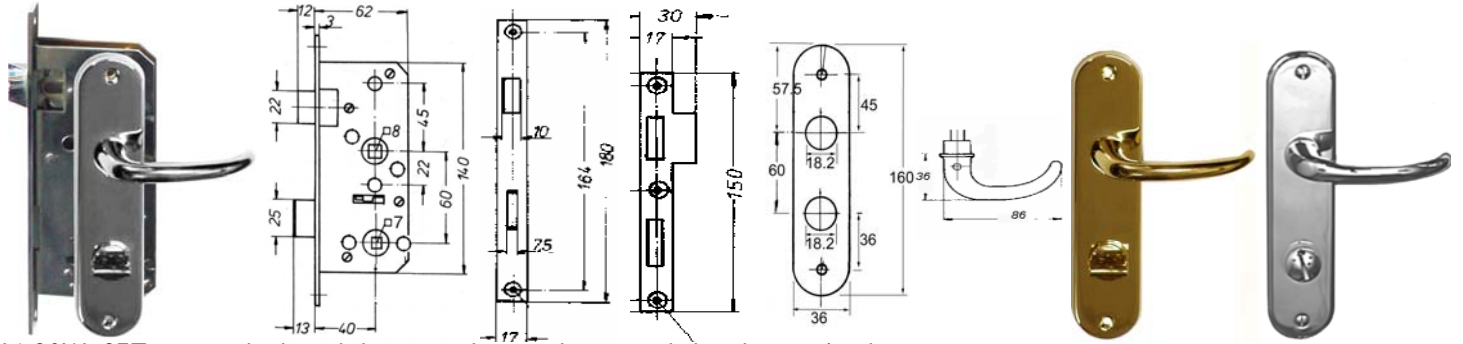
#14.471 sliding WC

Mortise locks light duty separate. For light duty *sliding* door lock sets, please see page 1-6-0; 1-6-0-A and 1-14.

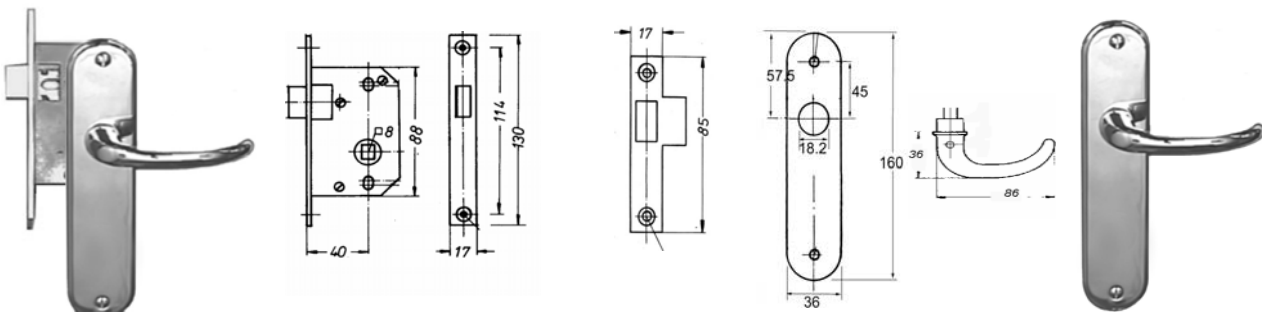
**FOR DETAILS AND MORE FUNCTIONS FOR BUDGET TRIM SETS, SEE PAGE 1-6-0 AND 1-6-A**



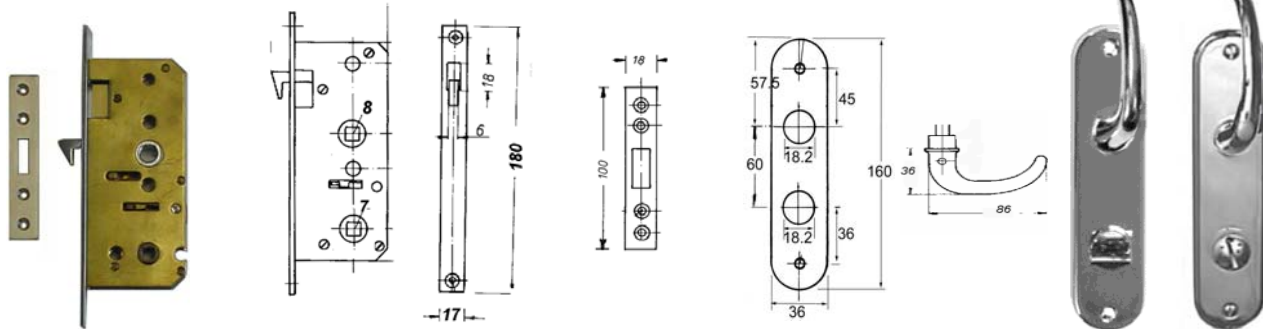
16.30Z; SET entry key lock with levers and escutcheons and profile cylinder with keyway / thumb-turn



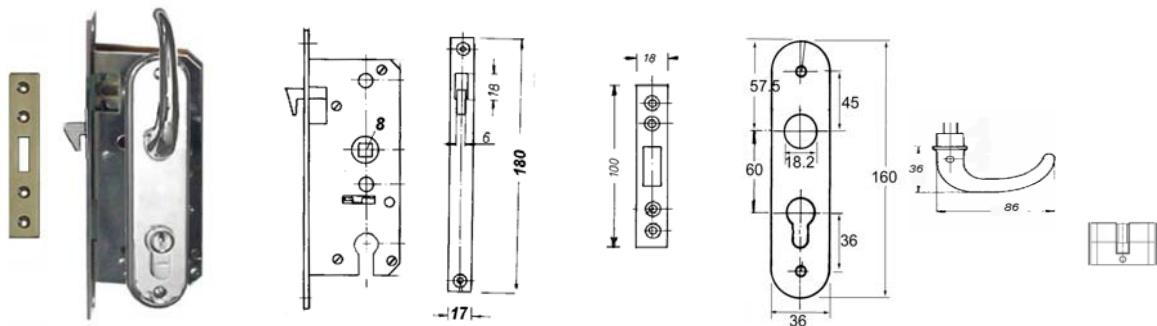
16.30W; SET privacy lock with levers and escutcheons and thumb-turn / indicator



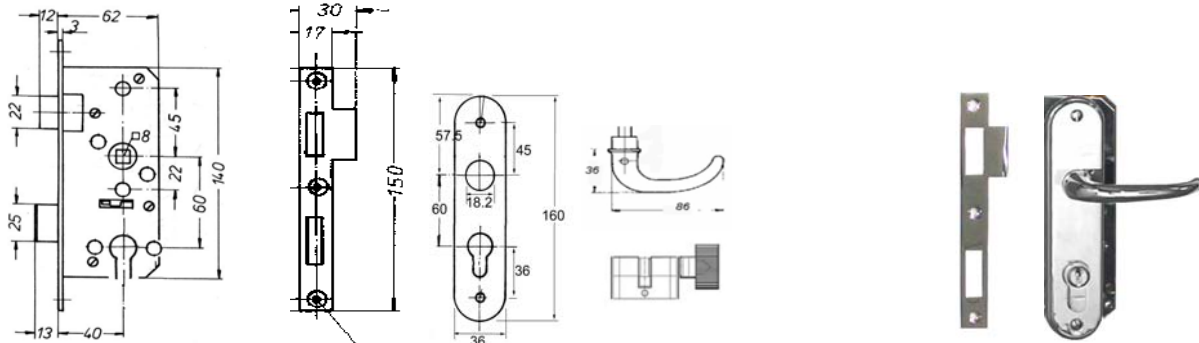
16.30F; SET passage latch with levers and escutcheons



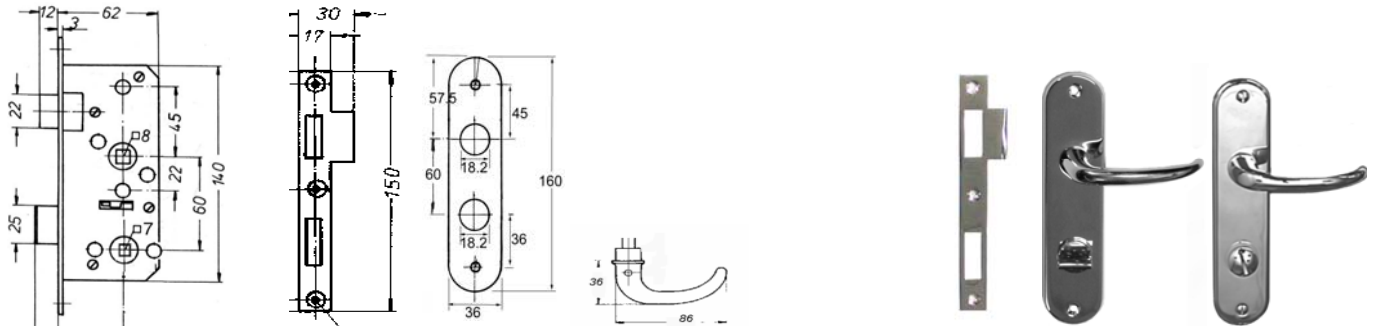
Privacy SET: # 16.3SW; with escutcheons, levers and thumb-turn indicator  
**MINIMUM DOOR THICKNESS: 1 1/8"**



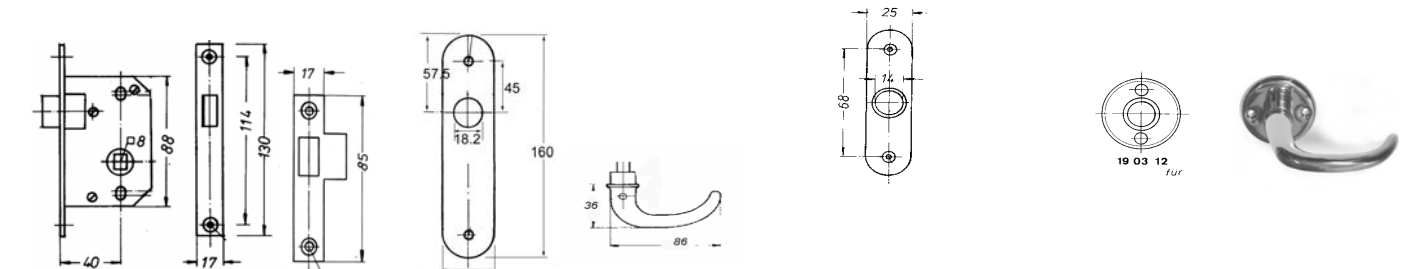
Entry SET: # 16.3SZ entry sliding door lock  
**MINIMUM DOOR THICKNESS: 1 1/8"**



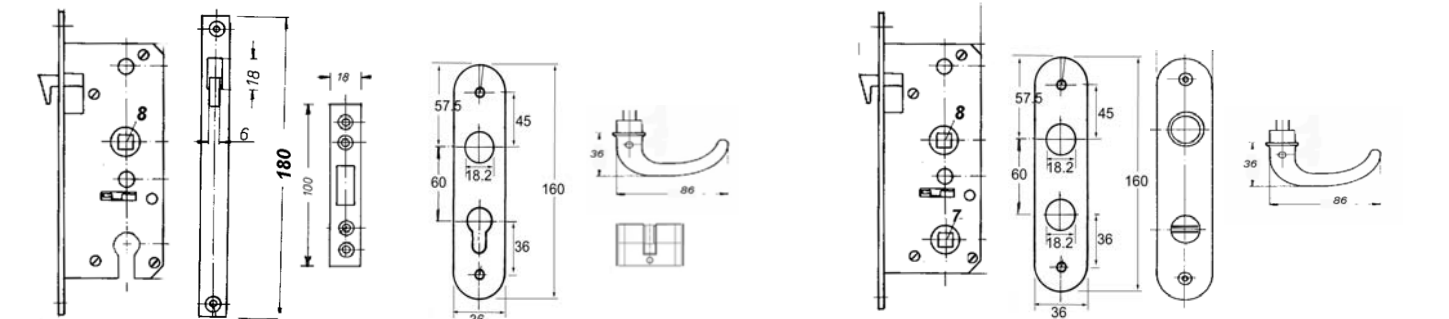
16.421 entry lock for PC 16.224 strike 16.16Z escutcheons 16.740 levers 05.407 PC Keyway



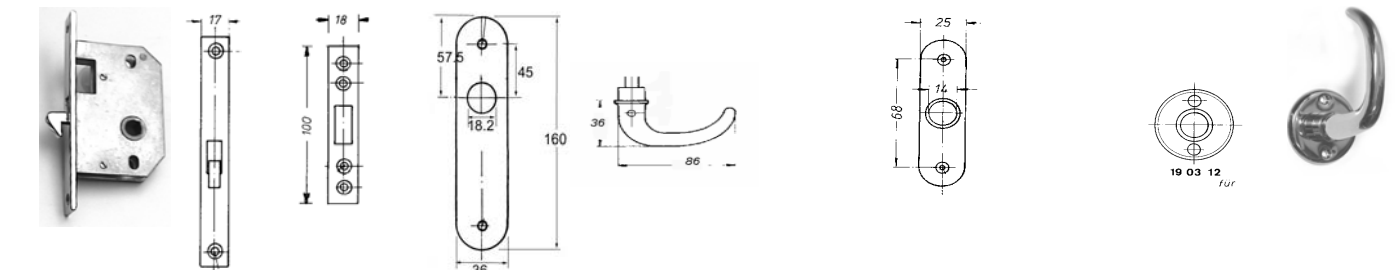
16.401 privacy lock; 16.224 strike 16.16W escutcheons 16.740 levers + thumb-turn / indicator: 16.89M + 16.99M



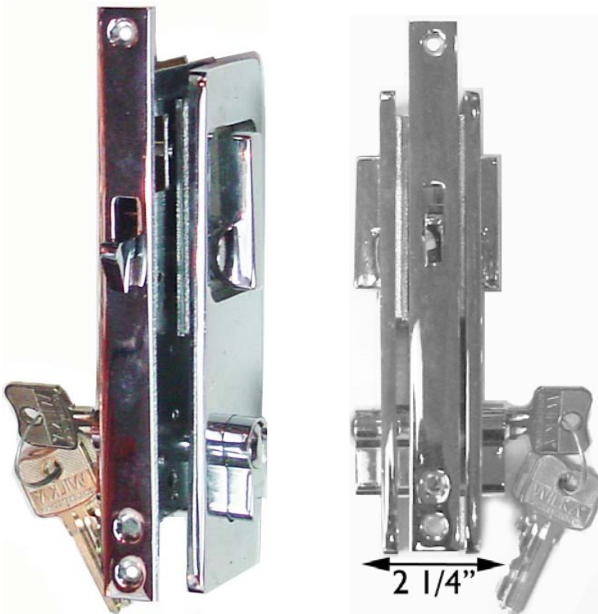
16.431 passage latch 16.225 strike 16.16F plates 16.740 levers 18.087 oval rose #16.924 rose 50 mm diameter;



14.481 entry sliding lock PC 14.48S strike 16.16Z plates 16.740 levers 14.471 WC 16.16WC pair 16.740 Levers 05.407 Keyway 26/26 mm 16.89M + 16.99M thumb-turn /indicator



14.891 passage sliding latch; 14.48S strike; 16.16F plates; 16.740 levers; 18.087 oval rose; #16.924 rose 50 mm diameter;



Entry SET #16.99Z with Profile cylinder keyway  
**MINIMUM DOOR THICKNESS: 1"**;



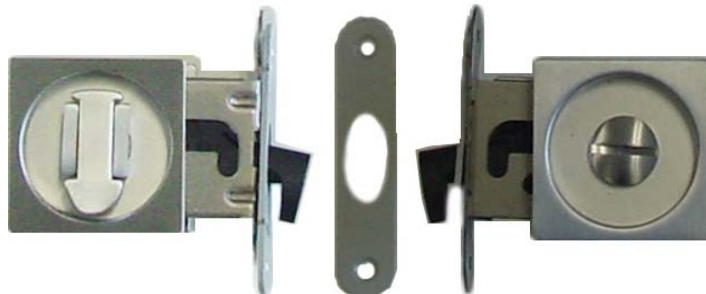
SET: #16.99W privacy with knob / indicator  
**MINIMUM DOOR THICKNESS: 1"**;



SET: #16.99F Passage pocket door latch  
**MINIMUM DOOR THICKNESS: 1"**;  
**FOR DETAILS SEE PAGE 1-6-0; 1-6-A; 1-6-B**



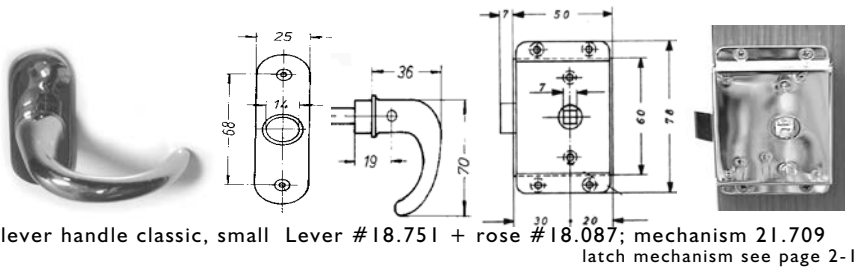
Privacy SET: #16.78W; Pocket door set w. flush levers  
**MINIMUM DOOR THICKNESS: 1 1/8"**;  
**FOR DETAILS SEE PAGE 5-2-D**



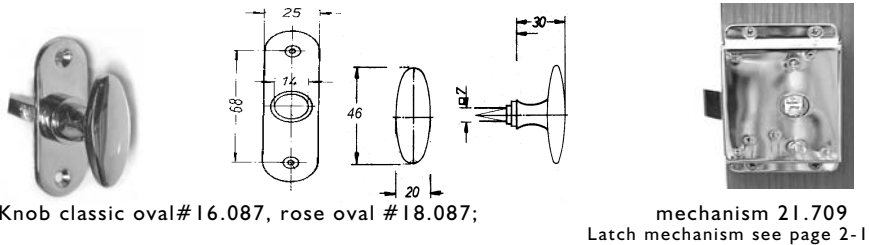
SET: #13.R95; Sliding Lock with Privacy function; Flap lever inside, indicator outside  
**MINIMUM DOOR THICKNESS: 1 1/5"**; size square cups: 2 1/6" x 2 1/16".  
**FOR DETAILS SEE PAGE 1-13-H; 1-13-I and 5-1-C and 5-2-E**



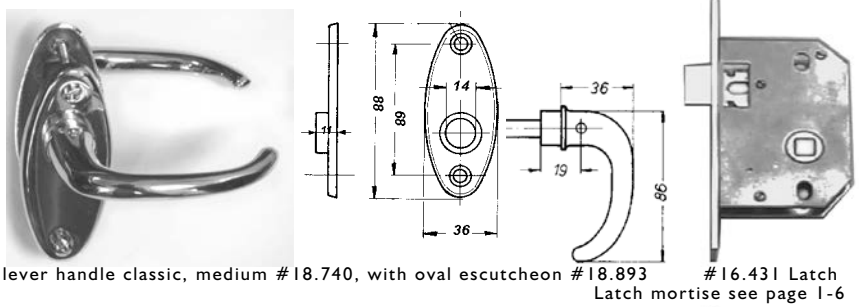




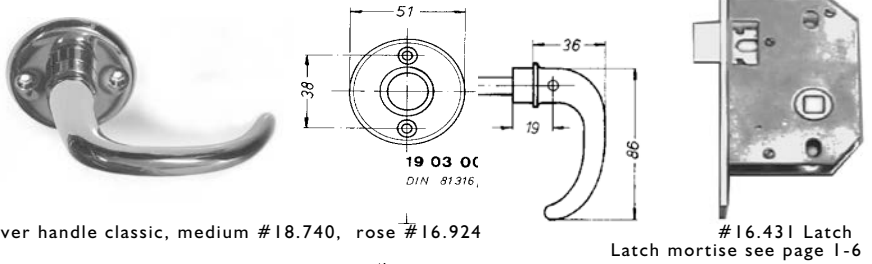
lever handle classic, small Lever #18.751 + rose #18.087; mechanism 21.709 latch mechanism see page 2-1



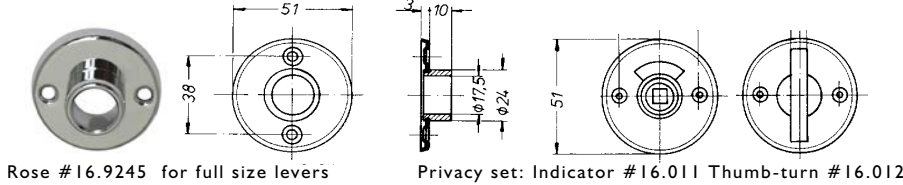
Knob classic oval #16.087, rose oval #18.087; mechanism 21.709 Latch mechanism see page 2-1



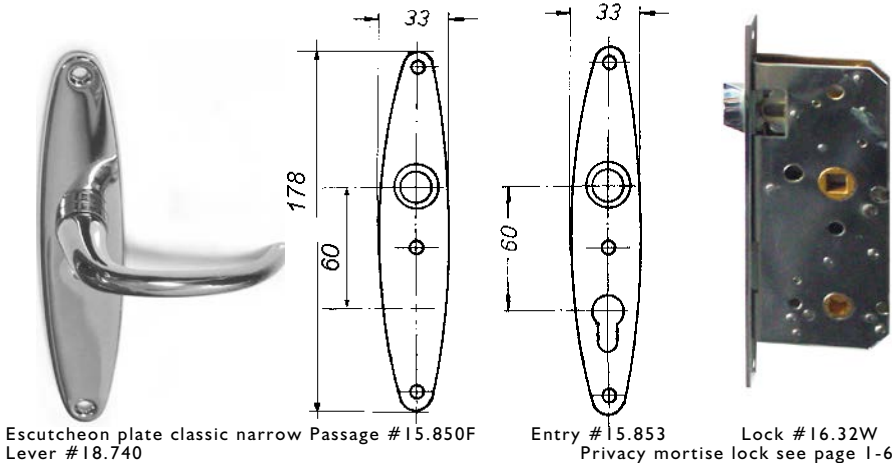
lever handle classic, medium #18.740, with oval escutcheon #18.893 #16.431 Latch Latch mortise see page 1-6



Lever handle classic, medium #18.740, rose #16.924 #16.431 Latch Latch mortise see page 1-6



Rose #16.9245 for full size levers Privacy set: Indicator #16.011 Thumb-turn #16.012



Escutcheon plate classic narrow Passage #15.850F Lever #18.740 Entry #15.853 Lock #16.32W Privacy mortise lock see page 1-6

Order numbers

- Classic brass trim fittings for brass locks
- BPC polished chrome plated brass
- BSC satin chrome plated brass
- BP polished brass

18.751 **Lever handles, Classic, small** 70 x 36 mm, 7x7 mm spindle

18.087 **Escutcheon plates w. round corners** 58 x 25 mm; For small lock series on page: 1-7,8.



16.087 **Knob oval, #16.087;** 7 x 7 mm spindle  
16.924 **Round rose** 51 mm; #16.924 hole: 14 mm diameter

18.740 **Lever handles, Classic, medium** 86 x 36 mm; 8 x 8 mm spindle

18.893 **Escutcheon rose, Classic, oval** 88 x 36 mm For medium and small door handles and lock series on page: 1-5, 6, 7, 8.

16.9245 **Rose, Classic round, 51 mm diameter**



17.5 mm diameter hole for full size levers

16.011 **Thumb-turn / indicator w. roses, set**  
16.012 (see below)

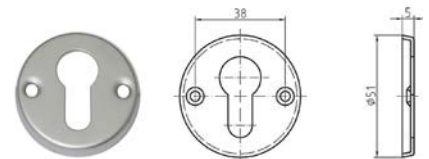


#16.011



#16.012

16.020 **Escutcheon rose for profile cylinder** 51 mm diameter (see below)



#16.020; PC rose; 51 mm diameter

15.850F **Escutcheon Classic Narrow, Oval** 178 x 33 mm; Passage model, pair

15.850W **Escutcheon Classic Narrow, Oval** 178 x 33 mm; Privacy model, pair

15.853 **Escutcheon Classic Narrow, Oval** 178 x 33 mm; PC Entry model, pair

15.851 **Escutcheon Classic Narrow, Oval** 178 x 33 mm; Skeleton Key model, pair

18.740 **Lever handles, Classic, medium;** 88 x 36 mm 8 x 8 mm spindle



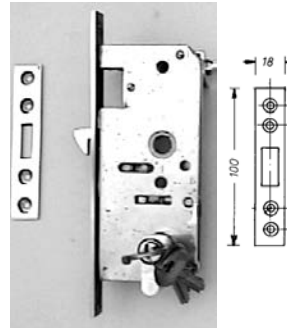
Izerwaren  
Order  
numbers

- Mortise Sliding Door locks, backset 40 mm - 1 9/16"
- Minimum door thickness 23 mm - 7/8"
- Solid brass hook bolt; Strike plate included with lock
- With square corners on lock & strike plate
- Finish: Polished Chrome Plated Brass

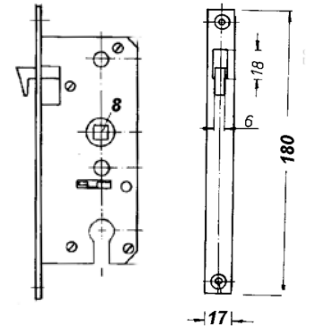
**LIGHT DUTY up to 50 lbs**

**14.481 Entry Sliding Mortise Lock, Light Duty For doors up to 50 lbs.**

40 mm backset - for use with profile cylinder  
Center spindle hole to center key hole: 60 mm  
Case: 62 mm x 140 mm x 12 mm thick  
Front plate 180 x 17 mm  
8x8 mm spindle / door lever handles



#14.481 Profile Cylinder



#14.481 PC sliding lock, hook bolt

**LIGHT DUTY up to 50 lbs**

**14.491 Entry Sliding Mortise Lock, Light Duty**  
40 mm backset - for use with skeleton key

**14.485 Strike plate**

**14.471 Privacy Sliding Mortise Lock, Light Duty**

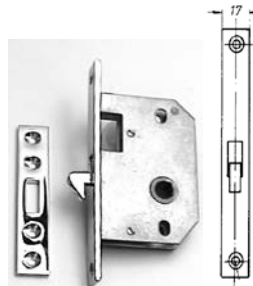
Center spindle hole to center key hole: 60 mm  
Case: 62 mm x 140 mm x 12 mm thick  
Front plate 180 x 17 mm  
8x8 mm spindle / door lever handles  
7x7 mm for thumb-turn:

**14.485 Strike plate**

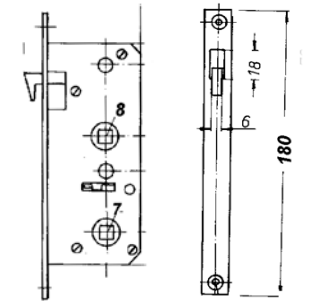
**14.891 Passage Sliding Mortise Lock, brass, Light Duty**

Case: 62 mm x 140 mm x 12 mm thick  
Front plate 180 x 17 mm  
For 8x8 mm spindle / door lever handles

**14.485 Strike plate**



#14.891 passage sliding latch



#14.471 WC sliding lock, hook bolt

**MEDIUM DUTY up to 110 lbs**

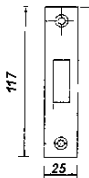
**STAINLESS STEEL SLIDING DOOR LOCKS**

- backset 40 mm - 1 9/16" and backset 18 mm ~ 3/4"
- Minimum door thickness 28 mm - 1 1/8"
- Stainless steel hook bolt
- Strike plate included with lock
- For up to 110 lbs doors

**14.152 Entry Sliding Mortise Lock Heavy Duty (6152)**

Center spindle hole to center key hole: 92 mm  
Case: 61 mm x 194 mm x 15 mm thick  
Front plate 250 x 25 mm  
8x8 mm spindle / door lever handles

**14.155 Strike plate 117 x 25 x 4 mm (6152)**



**14.C19 Entry Sliding Mortise Lock Heavy Duty (14.C19)**  
18 mm backset or 3/4 inch

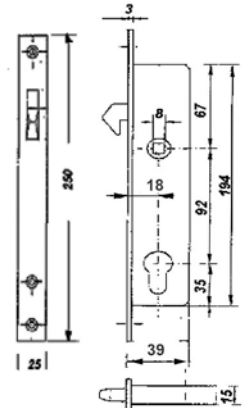
**Also available as Privacy and Passage Lock**  
Entry or Privacy function determined by Profile Cylinder



picture: Entry function; Key-Key.  
See page 0-5-1 for details



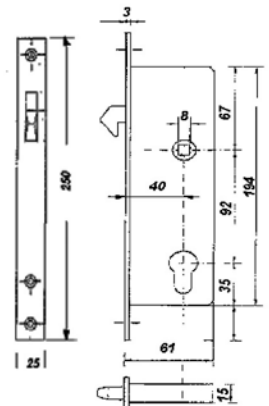
Lock #14.C19  
18 mm backset  
For trim see page #1-14-A



Lock #14.C19  
3/4" backset



Lock #14.152  
Strike #14.155  
40 mm backset  
For trim see page #1-14-A

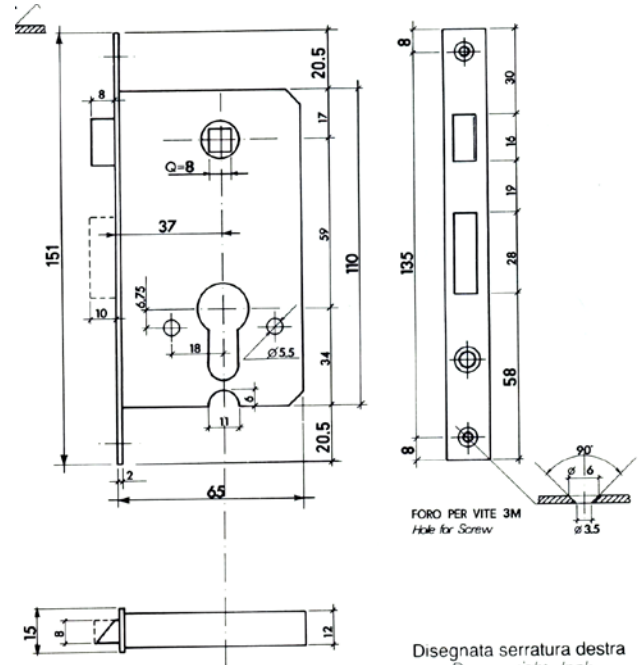
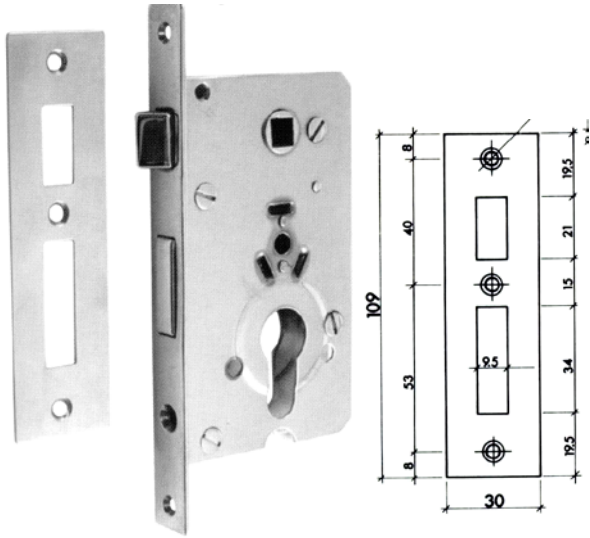


Lock #14.152  
40 mm or 1 9/16" backset

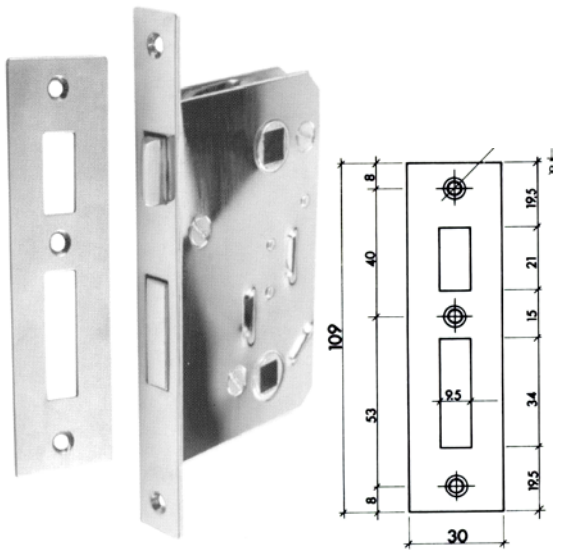
**For complete sets: See page I-14-A and I-14-B**



**NEW!** R & C SWINGING DOOR LOCKS FOR SMALL DOORS MINIMUM DOOR THICKNESS 1 INCH



18.3483 SET with escutcheons and levers; Entry Lock; 37 mm (1 1/2) backset.  
 Face plate: 151 x 15 x 2 mm; Lock case: 110 high x 65 wide x 12 mm thick. Center to Center PC: 59  
 Escutcheon plate: mm, Lever mm long overall.  
 Marine grade; stainless steel and brass chrome plated parts.



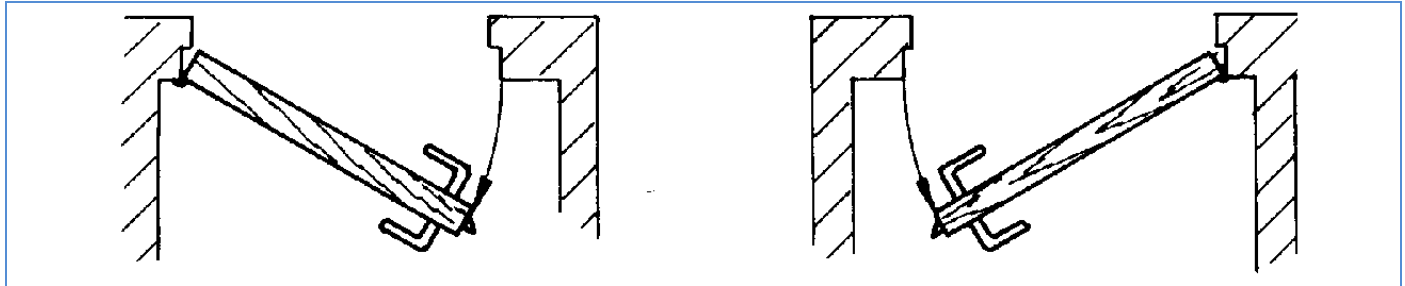
18.3474 SET with escutcheons and levers; Entry Lock; 37 mm (1 1/2) backset.  
 Face plate: 133 x 15 x 2 mm; Lock case: 93 high x 55 wide x 12 mm thick. Center to Center spindle hole: 62 mm  
 18.3819 Escutcheon plate: 135 x 25 mm, 18.3485 Lever 84 x 38 mm long overall.  
 Marine grade; stainless steel and brass chrome plated parts.

- #18.348337 Entry lock separate
- #18.3472 Strike plate for entry lock separate
- #18.3485 Levers pair separate
- #18.3840 Escutcheons for entry lock separate
- #18.347437 Privacy latch separate
- #18.3472 Strike for privacy latch
- #18.3819 Escutcheons for privacy lock separate
- #18.402337 Passage latch; 18.3818 passage escutcheons; (latch not showing)



### Standard European (DIN) Handing for Mortise Locks and Swinging Doors:

**OUTSIDE**



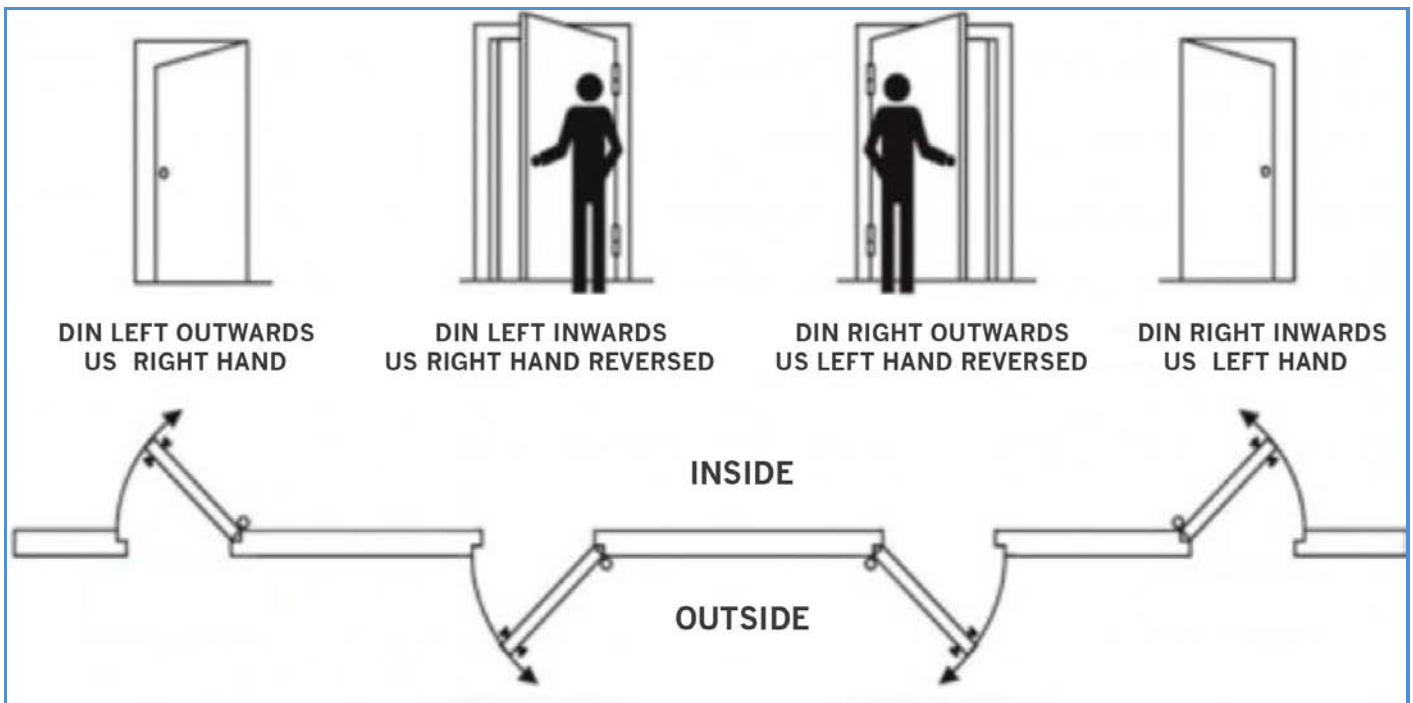
**INSIDE**

**DIN LEFT HAND**

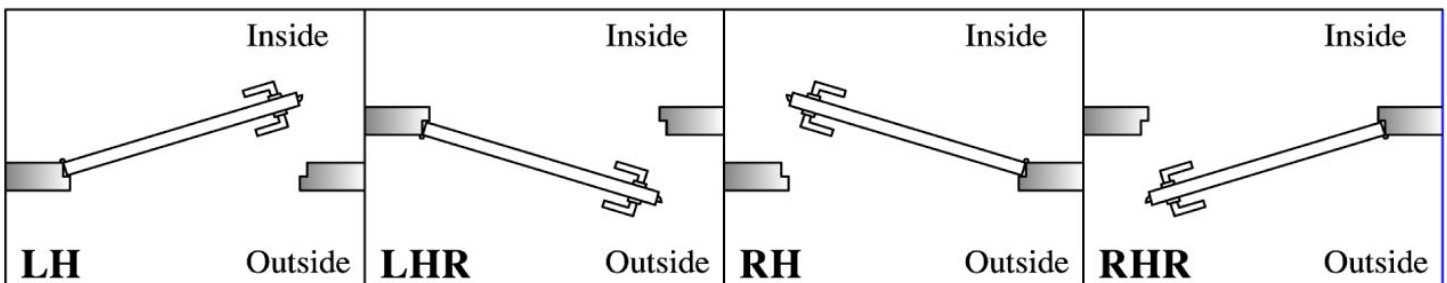
**DIN RIGHT HAND**

The DIN Standard applies to most Mega Yachts Door Schedules.

### Handing Door Schedules for: Residential European (DIN) and Residential American (US) Swinging Door the following schedule applies, showing DIN Standard and US Standard:

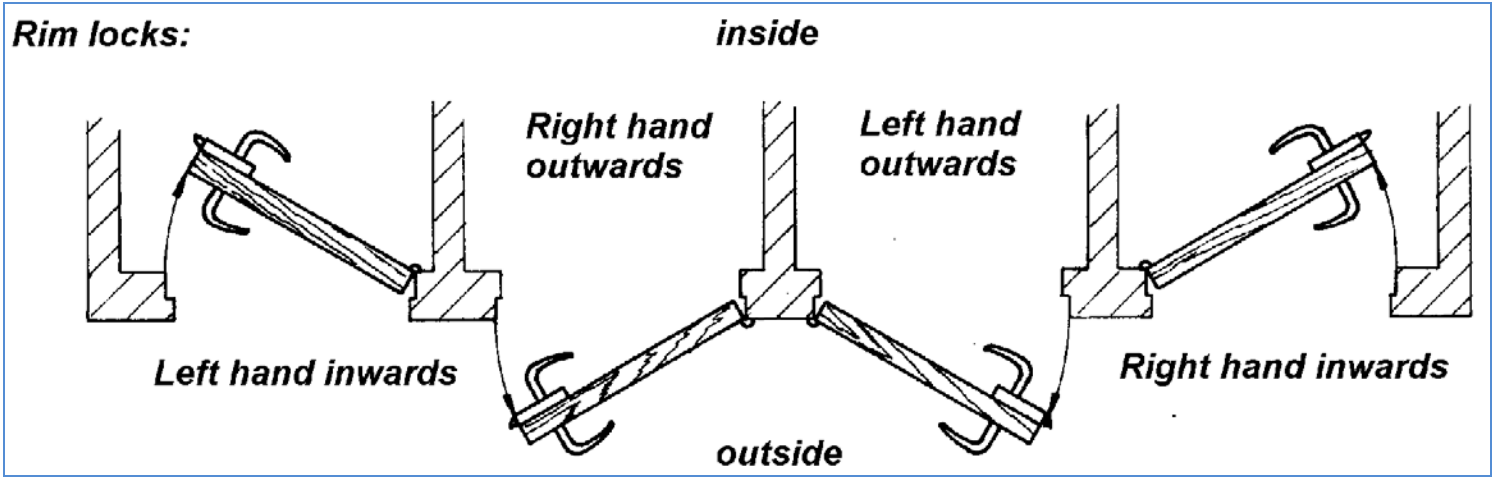


### Standard US Handing schedule:

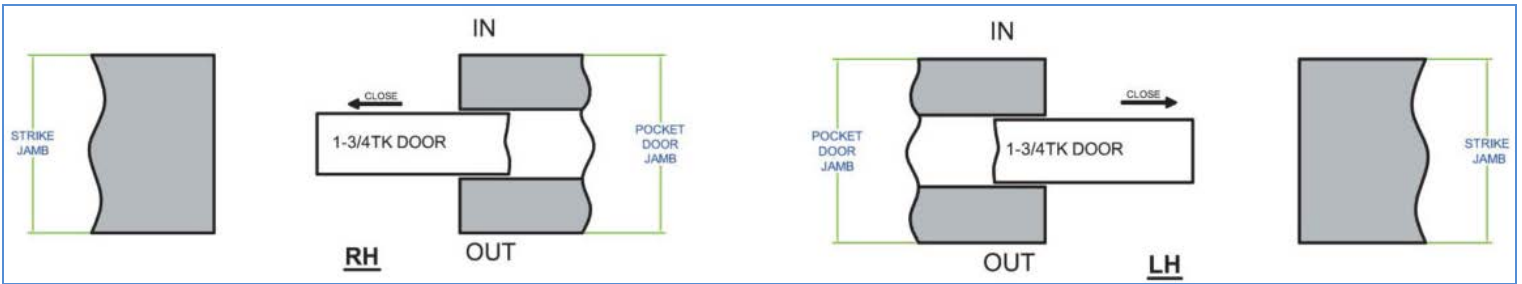




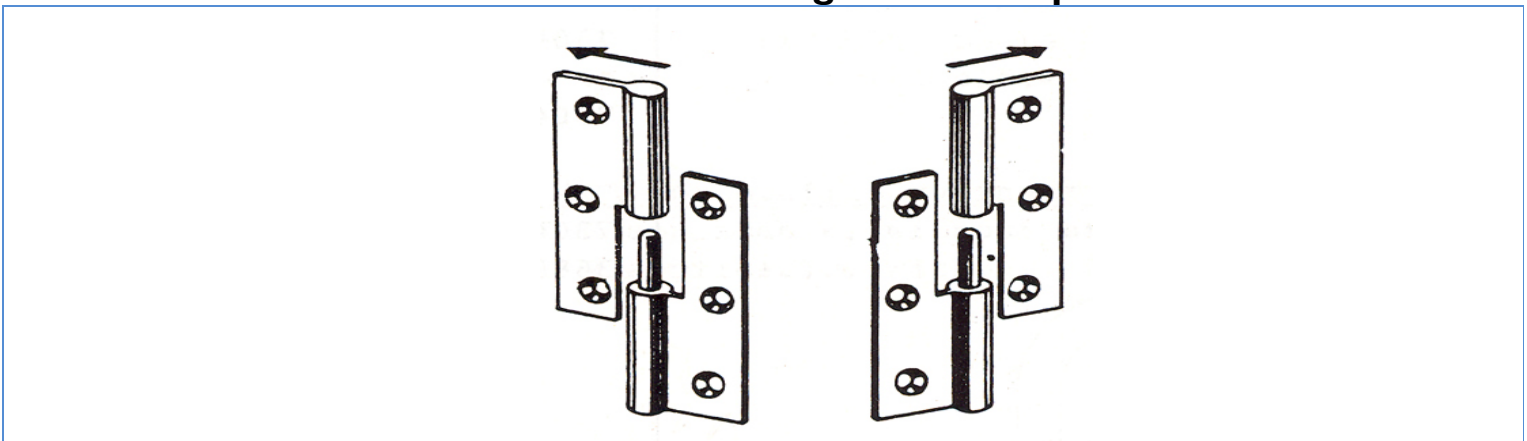
### HANDING OF RIM MOUNTED LOCKS EUROPEAN DIN STANDARD:



### HANDING OF POCKET DOORS US STANDARD:

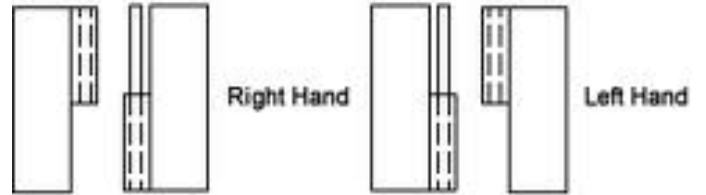
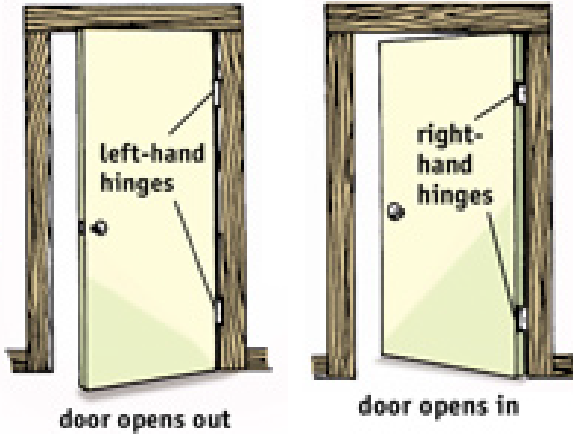


### HANDING of LIFT OFF HINGES according to the European DIN Standard:





### Standard US Hinges Handing



### Handing For Standard US Butt Hinges and Lift Off Hinges (Slip Joint Hinges)

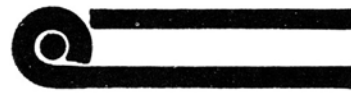


### Handicapped Code Full Away Swinging Hinges and Butt Hinge Installation

### Hinge Swaging



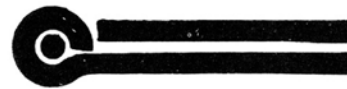
Hinge not swaged — figure 1



Hinge not swaged — figure 2



Hinge swaged (standard) — figure 3



Hinge swaged (standard) — figure 4


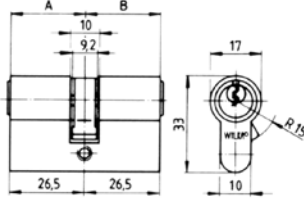

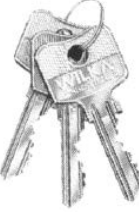
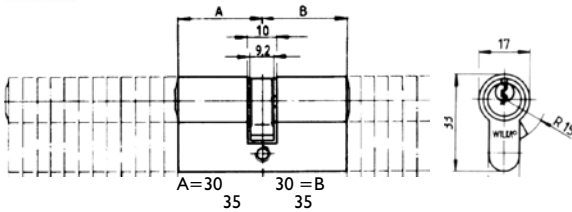

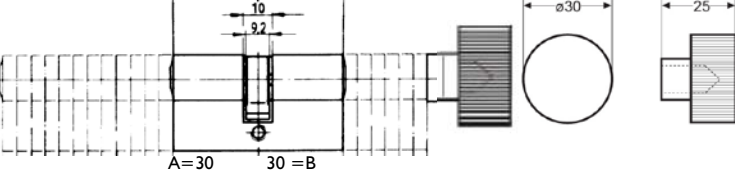


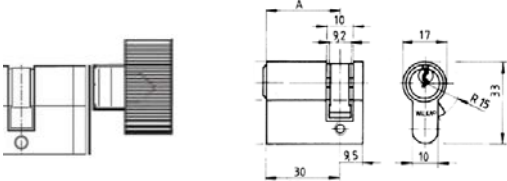

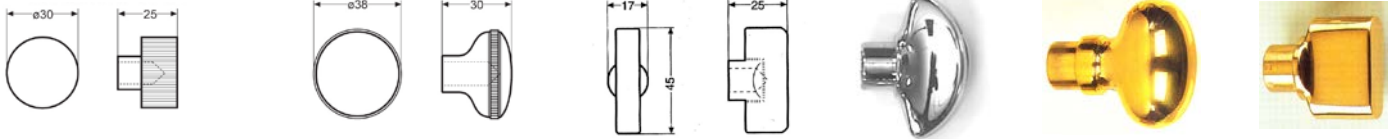
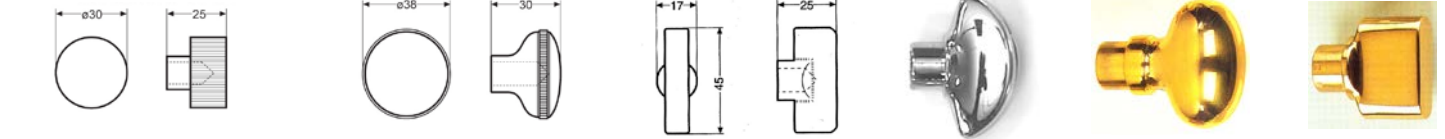


\*Hinge with one leaf swaged — figure 5



\*Hinge with one leaf swaged flat — figure 6



Order number		Material	Specifics	Finish
 Picture Profile Cylinder key/key Series #05.488 Small: 53 mm overall length				
05.488.566	key/key	Brass	A= 26.5 mm B= 26.5 mm key-key; satin chrome	
05.488.266	key/key	Brass	A= 26.5 mm B= 26.5 mm key-key; polished chrome	
05.407.566	key/knob	Brass	A= 26.5 mm B= 26.5 mm key-knob; satin chrome	
05.407.266	key/knob	Brass	A= 26.5 mm B= 26.5 mm key-knob; polished chrome	
 Picture Profile Cylinder key/key series #05.400 62 MM OVERAL LENGTH UP TO 182 MM OVERAL LENGTH WITH INCREMENTS OF 5 MM ALSO AVAILABLE ACYMETRIC		 Key blanks #05.150 nickel		
05.400.566	key/key	Brass	A= 30 mm B= 30 mm key-key; satin chrome	
05.400.266	key/key	Brass	A= 30 mm B= 30 mm key-key; polished chrome	
 Picture: Profile Cylinder key/knob Series #05.405 Specify Knob (knob depicted: #05.502 62 MM OVERAL LENGTH UP TO 182 MM OVERAL LENGTH NOT COUNTING THE KNOB WITH INCREMENTS OF 5 MM - ALSO ACYMETRIC				
05.405.566	key/knob	Brass	A= 30 mm B= 30 mm key-key; satin chrome	
05.405.266	key/knob	Brass	A= 30 mm B= 30 mm key-key; polished chrome	
 Half keyway #05.415 key/- UP TO 90 MM			 Half knob #05.416 knob/- special order	
05.415.566	Key/ - 30 - 0	Brass	A= 30 mm B= 0 mm key---; satin chrome	
05.415.266	Key/ - 30 - 0	Brass	A= 30 mm B= 0 mm key---; polished chrome	
05.416.566	Knob/ - 30 - 0	Brass	A= 30 mm B= 0 mm key---; satin chrome	
05.416.266	Knob/ - 30 - 0	Brass	A= 30 mm B= 0 mm key---; polished chrome	
				
				
				



<p>Profile cylinder, 60 mm, privacy (slotted bolt/knob) Profile cylinder, 60 mm, privacy (slotted bolt/key)</p>		<p>A=30 mm slotted bolt    B=30 mm key A=30 mm slotted bolt    B=30 mm knob</p>	
<p>05.489 05.487</p>	<p>Slotted bolt/key Slotted bolt/knob</p>		
<p>Escutcheon pair: #14.129.508 with 1 cylinder cover #05.599</p>	<p>#05.599                      #05.5991 Profile cylinder covers, spring loaded.</p>		
<p>#05.599 Profile cylinder cover, spring loaded. 12 mm</p>	<p>#05.5991 Profile cylinder cover, spring loaded. 17 mm</p>		
<p>05.599.608 05.5991.606</p>	<p>PC cover 3 mm PC cover 8 mm</p>	<p>Stainless steel Stainless steel</p>	<p>Overall sizes: 29 x 58 x 12 mm Overall sizes: 29 x 58 x 17 mm</p>
<p>Round Cylinders for small locks and cabinet locks</p>	<p>#05.590 Round key nickel</p>	<p>Cabinet rim lock #21.73Z; 25 mm backset with keyway #05.522</p>	
<p>05.522</p>	<p>round cylinder 22 mm</p>	<p>Brass/chrome</p>	<p>#21.73Z Cabinet rim lock with round cylinder</p>
<p>05.525</p>	<p>round cylinder 25 mm</p>	<p>Brass/chrome</p>	<p>see catalog page 2-1</p>
<p>05.530</p>	<p>round cylinder 30 mm</p>	<p>Brass/chrome</p>	<p>See on line:</p>
<p>05.535</p>	<p>round cylinder 35 mm</p>	<p>Brass/chrome</p>	<p>Izerwaren.com: Door hardware / Cabinet door hardware / Details marine slam latches / page 2-1.</p>